



## DATA SHEET: **NUVO Plank Clip-On** (Metal)

### Materials

Aluminum: 3003-H14 alloy suitable for paint or Ourborite™, a faux wood finish, or 5005-H14 alloy, used with anodized finishes. Typical standard thickness 20 Ga. (.032" / 0.8 mm)

### Finishes

Aluminum: Baked polyester powder or two or three coat fluoropolymer coatings by PPG® or Valspar®, Ourborite™ faux wood veneer. Also Class I or II anodic finishes.

### Dimensions

Standard Plank widths are (6", 8", 10" & 12"). Standard Panel lengths are available up to 10'-0". Panelized options available.

### Designs

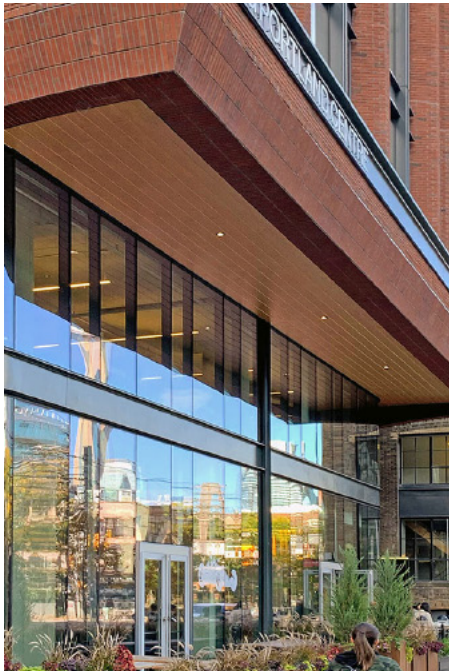
Nelson Planks are designed to attach onto proprietary tee bar grid. Alterations can be made to allow for tab-and-slot and hook-on assemblies.

### Acoustics

Metal Panels are available both non-perforated (non-acoustic) and perforated (acoustic). Perforation patterns are limited only to the type of material and gauge chosen. Presently Nelson offers more than fifty different perforation patterns ranging from diagonal, staggered to straight as well as round, square and oblong holes.

Our standard acoustical material consists of a Black pre-laminated fleece (SoundTex®) bonded to the inside surfaces of the Panel .

For more details and options contact your local Nelson Sales Representative or call our office at **1-800-277-6897**

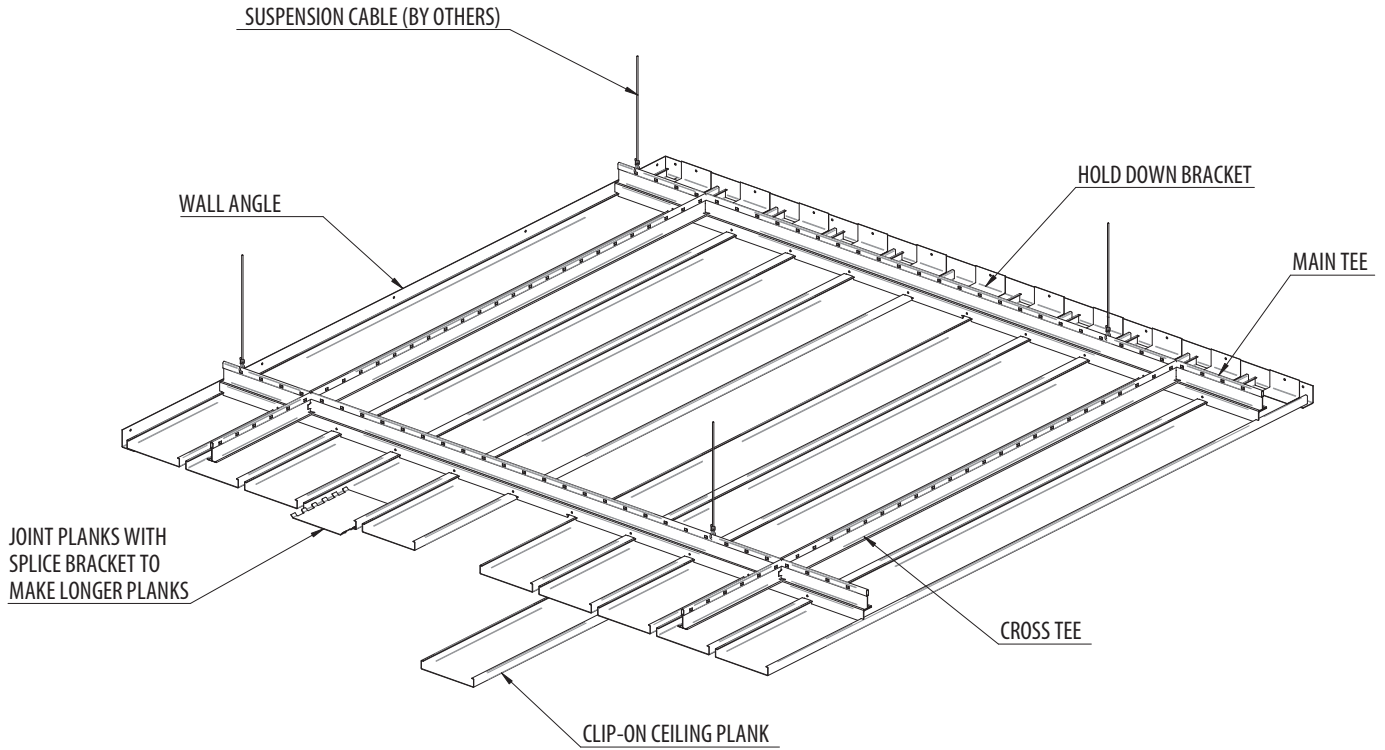


### Standard References

- A. ASTM E84 - Standard Method of Test for Surface Burning Characteristics of Building Materials and Assemblies.
- B. AAMA 605.2 - Specification for High Performance Finishes.
- C. ASTM A 366/A 366M Standard Specification for Commercial Steel (CS) Sheet, Carbon (0.15 Maximum Percent) Cold-Rolled; 1997.
- D. ASTM A 666 Standard Specification for Annealed or Cold-Worked Austenitic Stainless Steel Sheet, Strip, Plate, and Flat Bar; 2000.
- E. ASTM B36/B 36M Standard Specification for Brass Plate, Sheet, Strip, and Rolled Bar; 2006.
- F. ASTM B 209/B 209M - Standard Specification for Aluminum and Aluminum-Alloy Sheet and Plate; 2004.



## NUVO-Plank Clip-On



## NUVO-Plank Clip-On (SIDE VIEW)

