

8

7

6

5

4

3

2

1

# TYPICAL TORSION SPRING SYSTEM WITH SWING DOWN ACCESS

TORSION SPRING

CLIP MOUNT TORSION SPRING SYSTEM (FOR EASY PANEL INSTALLATION AND REMOVAL, AND ALLOWS PANEL TO SWING DOWN AND HANG IN PLACE AT 90 DEG. FOR BEHIND PANEL ACCESS)

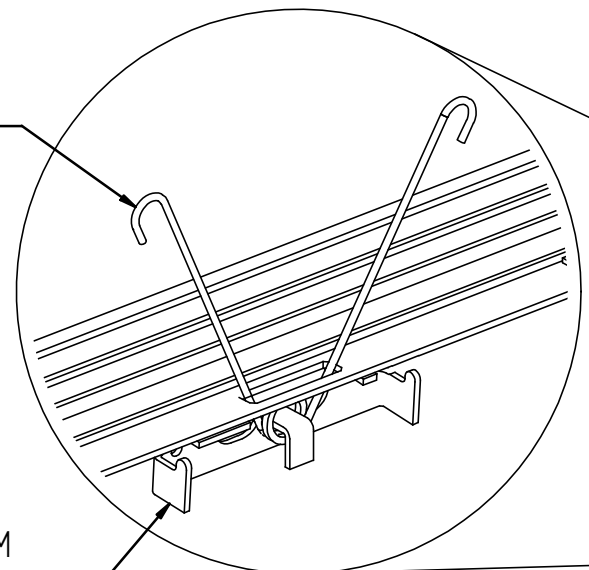
MAIN CROSS TEE

CROSS ANGLE

PANEL

SWING DOWN ACCESS

4 POINT SAFETY RESTRAINT



D

C

B

A

D

C

B

A

NuvoPanel-TSP Swing

TORSION SPRING CEILING PANEL SYSTEM WITH SWING DOWN ACCESS



These are the sole and exclusive property of Nelson Industrial Inc. and the information contained herein may be used only by authorized agents. The use of these drawings for unintended applications, unauthorized alterations performed by third parties - on electronic files or hard copies - as well as disclosure and dissemination of information without prior consent are strictly prohibited and will absolve Nelson Industrial Inc. of any resulting liability.	STANDARD MFG. TOLERANCES ARE UP TO 40" LG +/- .015 OVER 40" LG +/- .031 ANGLES: +/- 0.5 DEG. HOLES: +.003/- .000 UNLESS OTHERWISE SPECIFIED ON THE DRAWING ANGLES NOT DIMENSIONED ARE 90 DEG.	SET BACK	INS. BEND RADIUS	PART NO.	DESCRIPTION	
	ALL DIMENSIONS SHOWN IN INCHES TAKEN FROM OUTSIDE UNLESS OTHERWISE SPECIFIED. FORM ALL PARTS WITH BURR TO INSIDE. BLANK SHOWN BURR SIDE DOWN	MATERIAL	SCALE	DATE	DATE	
	PROJECTION THIRD ANGLE	FINISH	DESIGN	DATE	DATE	
	DRAWING PATH J:\drawing files\NELSON ARCH SYSTEMS\TORSION SPRING PANEL SYSTEM_2.dft	WEIGHT	RELEASE DATE	DATE	DATE	SHEET SCALE 1:8 08/07/2020 22/07/2020

NO.	DATE	REVISION
REVISIONS		

8

7

6

5

4

3

2

1