

8

7

6

5

4

3

2

1

D

D

C

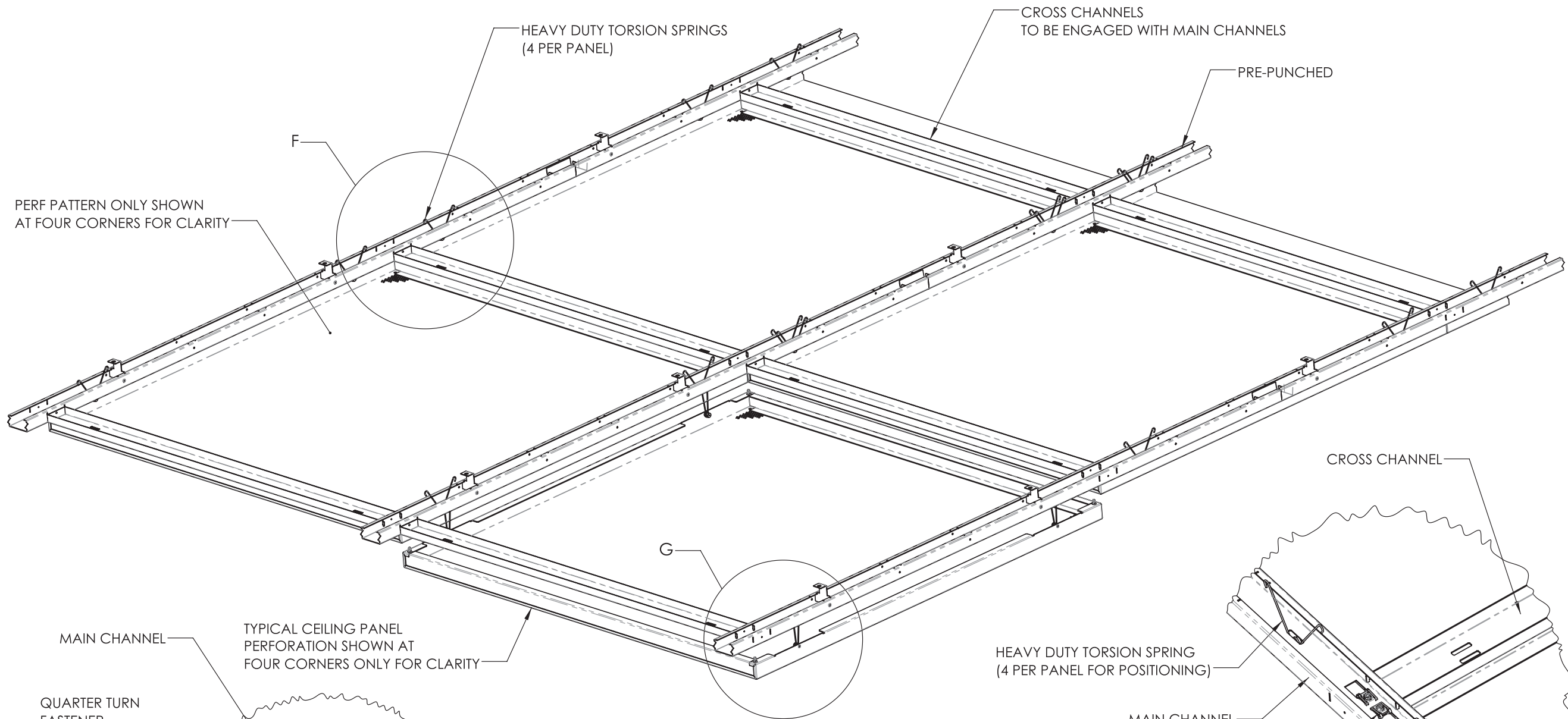
C

B

B

A

A



TYPICAL ISOMETRIC VIEW FROM ABOVE

DETAIL F SCALE 1 : 6

DETAIL G SCALE 1 : 6

NOTE: SUPPORT FRAMING/SUSPENSION FOR MAIN GRID NOT SHOWN



NO.	DATE	REVISION
REVISIONS		

These are the sole and exclusive property of Nelson Industrial Inc. and the information contained herein may be used only by authorized agents. The use of these drawings for unintended applications, unauthorized alterations performed by third parties - on electronic files or hard copies - as well as disclosure and dissemination of information without prior consent are strictly prohibited and will absolve Nelson Industrial Inc. of any resulting liability.

STANDARD MFG. TOLERANCES ARE UP TO 40" LG +/- .015 OVER 40" LG +/- .031 ANGLES: +/- 0.5 DEG. HOLES: +/- .003/- .000 UNLESS OTHERWISE SPECIFIED ON THE DRAWING ANGLES NOT DIMENSIONED ARE 90 DEG.

ALL DIMENSIONS SHOWN IN INCHES TAKEN FROM OUTSIDE UNLESS OTHERWISE SPECIFIED. FORM ALL PARTS WITH BURR TO INSIDE. BLANK SHOWN BURR SIDE DOWN

PROJECTION THIRD ANGLE

SET BACK	INS. BEND RADIUS	PART NO.	DESCRIPTION
MATERIAL	SCALE	DESIGN	DATE
FINISH	APPROVED	DATE	WEIGHT
	RELEASE DATE	SIZE	DWG NO.

DESCRIPTION		PART NO.	
NUVO Span - HYBRID System			
		SIZE	DWG NO.
		B	
SHEET		REV	
SAMPLE ONLY		A	

8

7

6

5

4

3

2

1